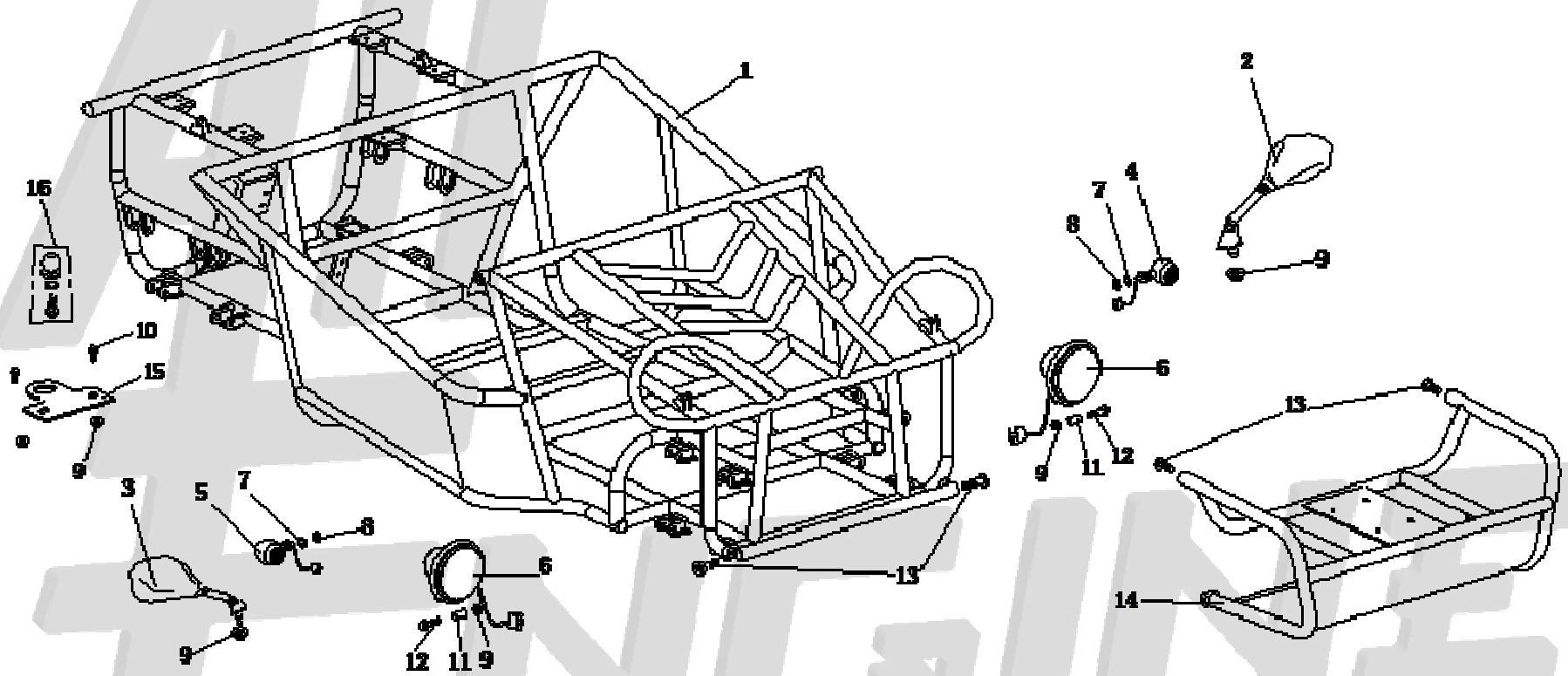


# KINROAD 650 CYCLONE

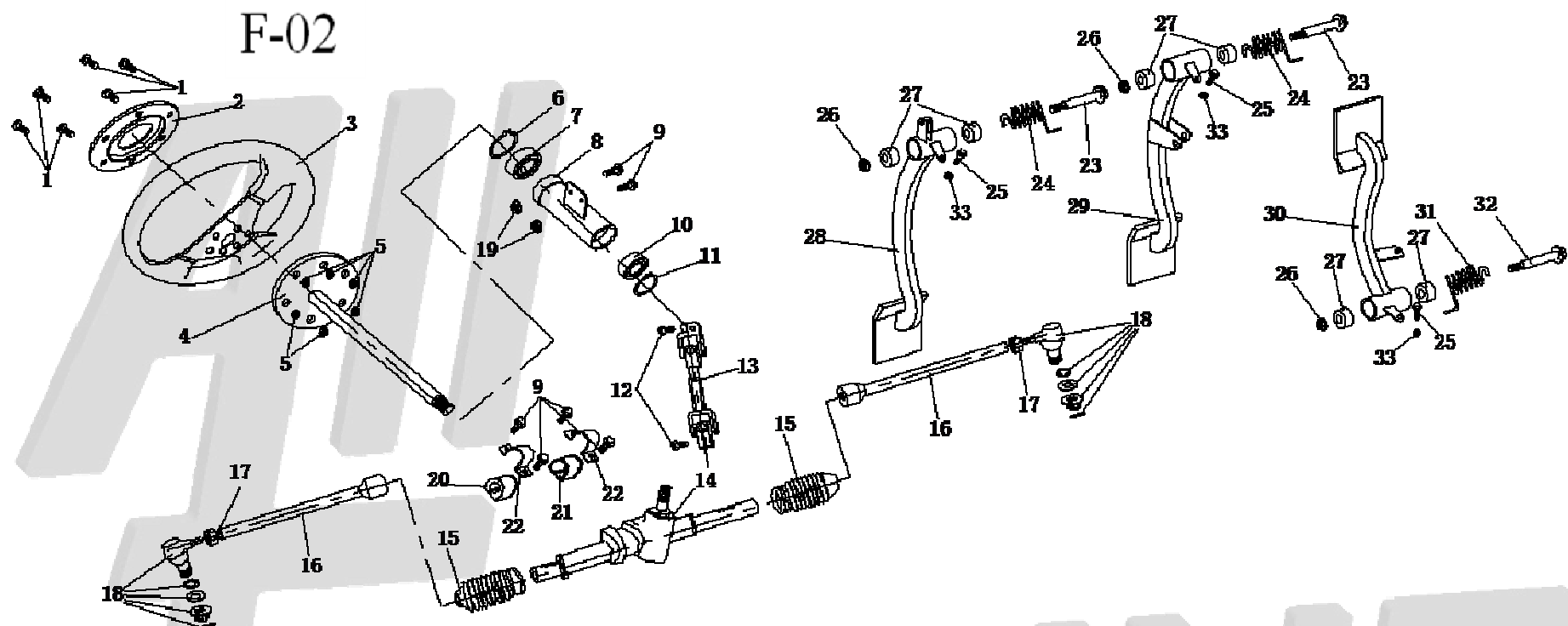
## XT650GK 沙滩车图解目录



F-01



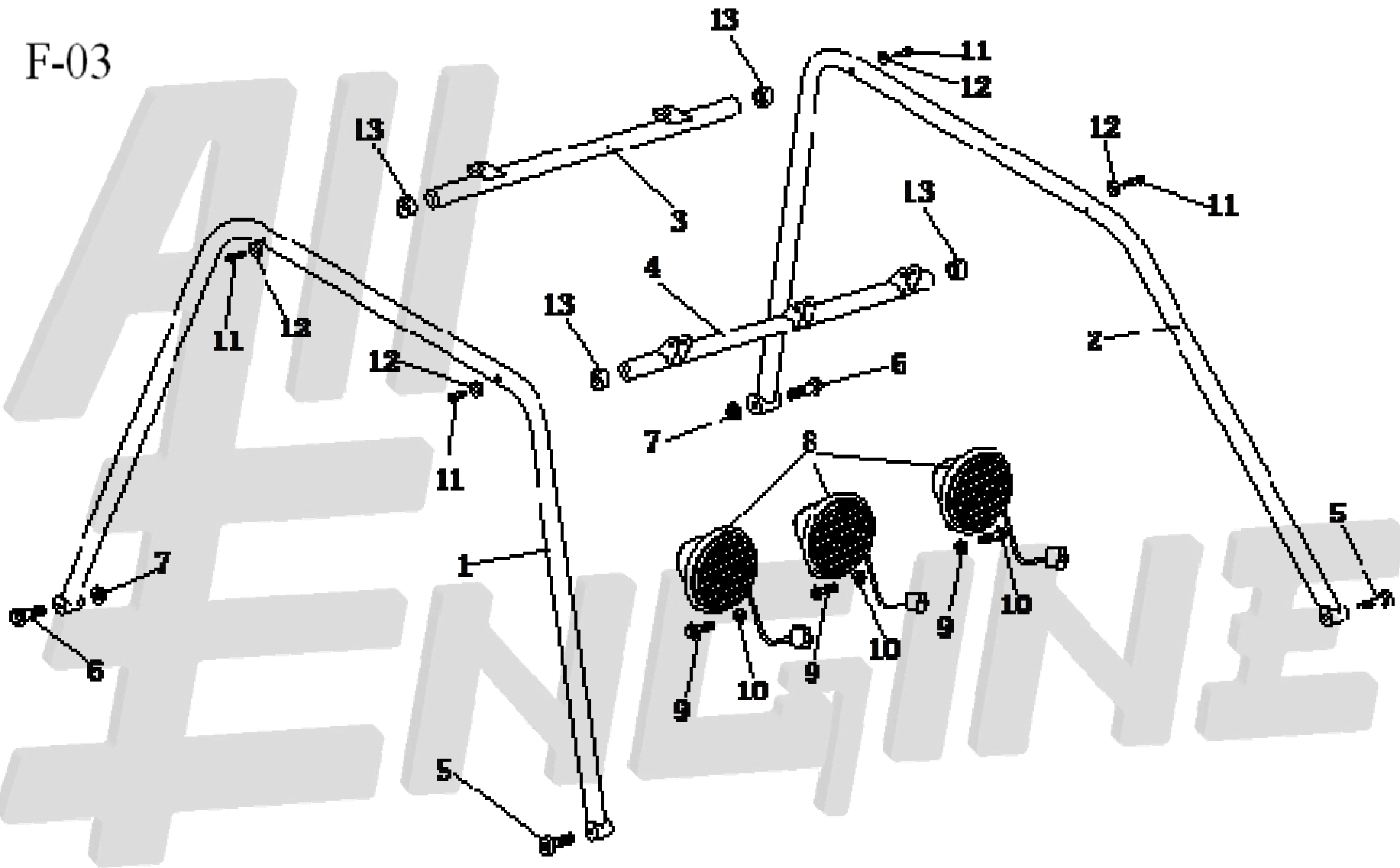
序号	功能码	中文名称	英文名称	数量
Ref. No	Function Code	Chinese Description	Part Name	Reqd. No.
1	KM001010000	主车架	FRAME COMP.	1
2	KA204250100-1	左后视镜	LEFT REARVIEW MIRROR	1
3	KA204250200-1	右后视镜	RIGHT REARVIEW MIRROR	1
4	KA204160100-1	左前转向灯	FORWARD LEFT TURNING LIGHT	1
5	KA204170100-1	右前转向灯	FORWARD RIGHT TURNING LIGHT	1
6	KA204100000-2	前照灯	HEAD LAMP	2
7	GB/T93-87	弹垫10	SPRING WASHER	2
8	GB6170-86	六角螺母M10×1.25	NUT (M10×1.25)	2
9	GB6187-86	六角法兰自锁螺母M8	NUT FLANGE M8	6
10	GB5787-86	六角法兰螺栓M8×25	BOLT FLANGE M8×25	2
11		大灯衬套Φ8×Φ15×24	BUSH8Φ8×Φ15×24	2
12	GB5787-86	六角法兰螺栓M8×40	BOLT FLANGE M8×40	2
13	GB/T70-86	内六角螺栓M12×1.75×45	BOLT, HEX IN M12×1.75×45	4
14	KM001040000	前保险杠	FRONT BRUSH GUARD BAR ,MAIN	1
15	KM00154001A	拖车挂钩支架	BRACKEY, TOW BALL	1
16	KM001720000	拖车挂钩	TOW BALL	1



序号	功能码	中文名称	英文名称	数量
Ref. No	Function Code	Chinese Description	Part Name	Reqd. No.
1	GB/T70-86	内六角螺钉M6×20	BOLT, HEX IN M6×20	6
2	KB003020000	边向器螺栓盖	STEERING COVER	1
3	KB003310000	方向盘	STEERING COMP.	1
4	KM00601011A	边向轴	STEERING SHAFT	1
5	GB6187-86	六角法兰自锁螺母M6	NUT FLANGE M6	6
6	GB/T893.1	孔用弹性挡圈 26	HOLE SPACER, ELASTIC 26	1
7	GB/T272-93	轴承6803	BEARING 6803	1

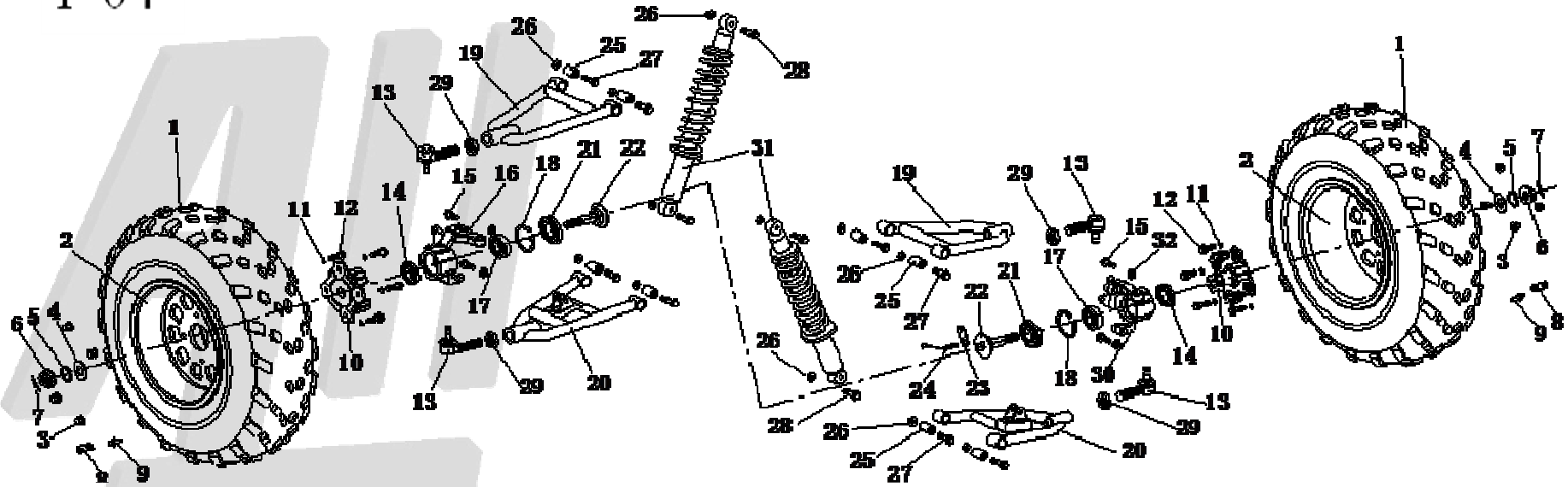
8	KM00601021A	变向轴套筒	SLEEVE OF STEERING SHAFT	1
9	GB5787-86	六角法兰螺栓M10×25	BOLT FLANGE M10×25	2
10	GB/T272-93	轴承6902	BEARING 6902	1
11	GB/T893.1	孔用弹性挡圈 28	HOLE SPACER, ELASTIC 28	1
12	GB5787-86	六角法兰螺栓M8×25	BOLT FLANGE M8×25	2
13	KM00601061A	转向关节轴	SEEERING KNUCKLE	1
14	KM00601031A	变向箱	STEERING GEAR	1
15	KM006010400	防尘盖	DUST COVER. L. BALL JOINT	2
16	KM006010730	左、右连接杆	TIE ROD	2
17	GB6170-86	六角螺母M10×1.25	NUT (M10×1.25)	2
18	KM006010830	连接杆球头	ROD END	2
19	GB6187-86	六角法兰自锁螺母M10	NUT FLANGE M10	2
20	KM003400000	方向器橡胶块1	RUBBER, STEERING GEAR1	1
21	KM003410000	方向器橡胶块2	RUBBER, STEERING GEAR2	1
22	KM00153001A	变向器固定板	STEERING GEAR BRACKET	2
23		踏板螺栓M8×73	BOLT M8×73	2
24	KA001810030	刹车踏杆扭簧	SPRING, BRAKE PEDAL	2
25	GB5787-86	六角法兰螺栓M8×40	BOLT FLANGE M8×40	3
26	GB6187-86	六角法兰自锁螺母M8	NUT FLANGE M8	3
27	KA101024000	踏板减震环	COLLAR, PEDAL	6
28	KM001330030	节气门踏板组件	PEDAL COMP. , THROTTLE	1
29	KM001320030	刹车踏板组件	PEDAL COMP. , BRAKE	1
30	KM001340030	离合器踏板组件	PEDAL COMP. , CLUTCH	1
31	KA001820030	节气门踏杆扭簧	SPRING, THROTTLE PEDAL	1
32		踏板螺栓M8×123	BOLT M8×123	1
33	GB6170-86	六角螺母M8	NUT M8	3

F-03



序号	功能码	中文名称	英文名称	数量
Ref. No	Function Code	Chinese Description	Part Name	Reqd. No.
1	KM001020000	右保险杠架	RIGHT BRUSH GUARD BAR ,MAIN	1
2	KM001030000	左保险杠架	LEFT BRUSH GUARD BAR ,MAIN	1
3	KM001080000	后保险杠横杆	REAR BRUSH GUARD BAR ,CENTER	1
4	KM001070000	前保险杠横杆	FRONT BRUSH GUARD BAR ,CENTER	1
5	GB/T70-86	内六角螺栓M12×1.75×45	BOLT, HEX IN M12×1.75×45	2
6	GB5787-86	六角法兰螺栓M12×1.25×60	BOLT FLANGE M12×60	2
7	GB6187-86	六角法兰自锁螺母M12	NUT FLANGE M12	2
8	KA204100000-2	射灯	TOP LAMP ASSY.	3
9	GB5787-86	六角法兰螺栓M8×40	BOLT FLANGE M8×40	3
10	GB6187-86	六角法兰自锁螺母M8	NUT FLANGE M8	3
11	GB5787-86	六角法兰螺栓M8×55	BOLT FLANGE M8×55	4
12		R-垫	R-WASHER	4
13	KA003070000	防护杆衬套Φ25	BUSH, BRUSH GUARD BAR (ø25)	4

# F-04

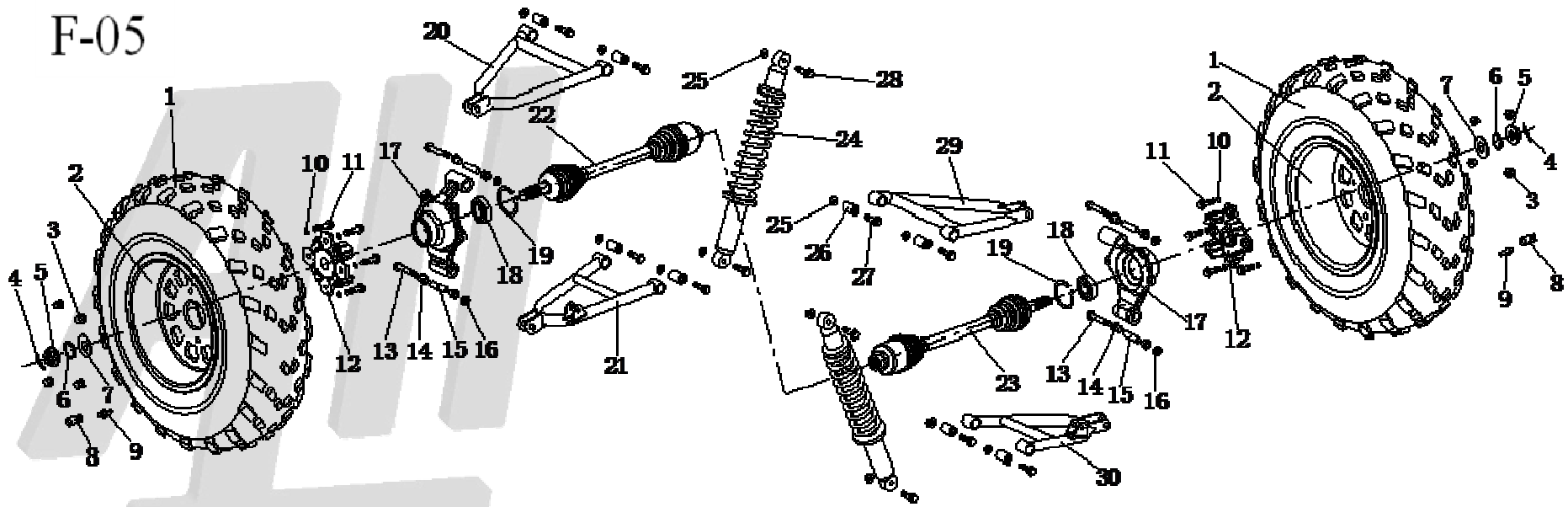


序号	功能码	中文名称	英文名称	数量
Ref. No	Function Code	Chinese Description	Part Name	Reqd. No.
1	KM005030000	真空胎25×8-12	TIRE, FR 25×8-12	2
2	KM005010000	前辐板轮12×6	RIM, FR. 12×6	2
3		盖形螺母M10	WHEEL NUT M10	8
4	GB95-85	平垫18	FLAT WASHER 18	8
5	GB/T93-87	弹垫18	WASHER ,SPRTNG ø18	8
6	GB/T9457-1988	六角开槽螺母M18×1.5	NUT-CASTLE M18×1.5, FRONT AXLE	2
7	GB/T 91-2000	开口销3.2×40	COTTERPIIN 3.2×40	2
8	KM005030200	气门嘴帽	CAP, TIRE INTAKE	2
9	KM005030100	气门嘴	INTAKE, TIRE	2



10	KM005070040	前碟刹盘座	FRONT HUB	2
11	GB/T93-87	弹垫10	WASHER , SPRNG ø10	8
12	GB5787-86	六角法兰螺栓M10×40	BOLT FLANGEM10×40	8
13	KM001710000	球接总成	ROD END	4
14	KM005410000	油封40×55-6	DUST SEAL 40×55-6	2
15	GB5787-86	六角法兰螺栓M10×45	BOLT FLANGEM10×45	4
16	KM00506001A	右前轮毂	STUB AXLE, R	1
17	KM005520000	轴承FWD305530	BEARING FWD305530	2
18	GB/T 893. 1-86	孔用弹性挡圈55	HOLE SPACER, ELASTIC 55	2
19	KM00117001A	前上悬挂臂总成	SUSPENSION ARM COMP, UPPER	2
20	KM00118001A	前下悬挂臂总成	SUSPENSION ARM COMP, LOWER	2
21	KM005420000	油封40×58-8. 5	DUST SEAL 40×58-8. 5	2
22	KM005100030	前轮轴	AXLE, FRONT	2
23	KM00131001A	速度传感器支架	BRACKET, SPEED SENSOR	1
24	KM004150300	速度传感器	SPEED SENSOR	1
25	KM003390000	悬挂臂缓冲套	SHEET BUSH, SWING ARM	8
26	GB6187-86	六角法兰自锁螺母M12	NUT FLANGE M12	12
27	GB5787-86	六角法兰螺栓M12×70	BOLT FLANGE M12×70	8
28	GB5787-86	六角法兰螺栓M12×55	BOLT FLANGE M12×55	4
29	GB6170-86	六角螺母M16×1. 5	NUTM16×1. 5	4
30	KM00505001A	左前轮毂	STUB AXLE, L	1
31	KM006310000	前减震器	ABSORBER ASSY. FR.	2
32	GB6187-86	六角法兰自锁螺母M10	NUT FLANGE M10	4

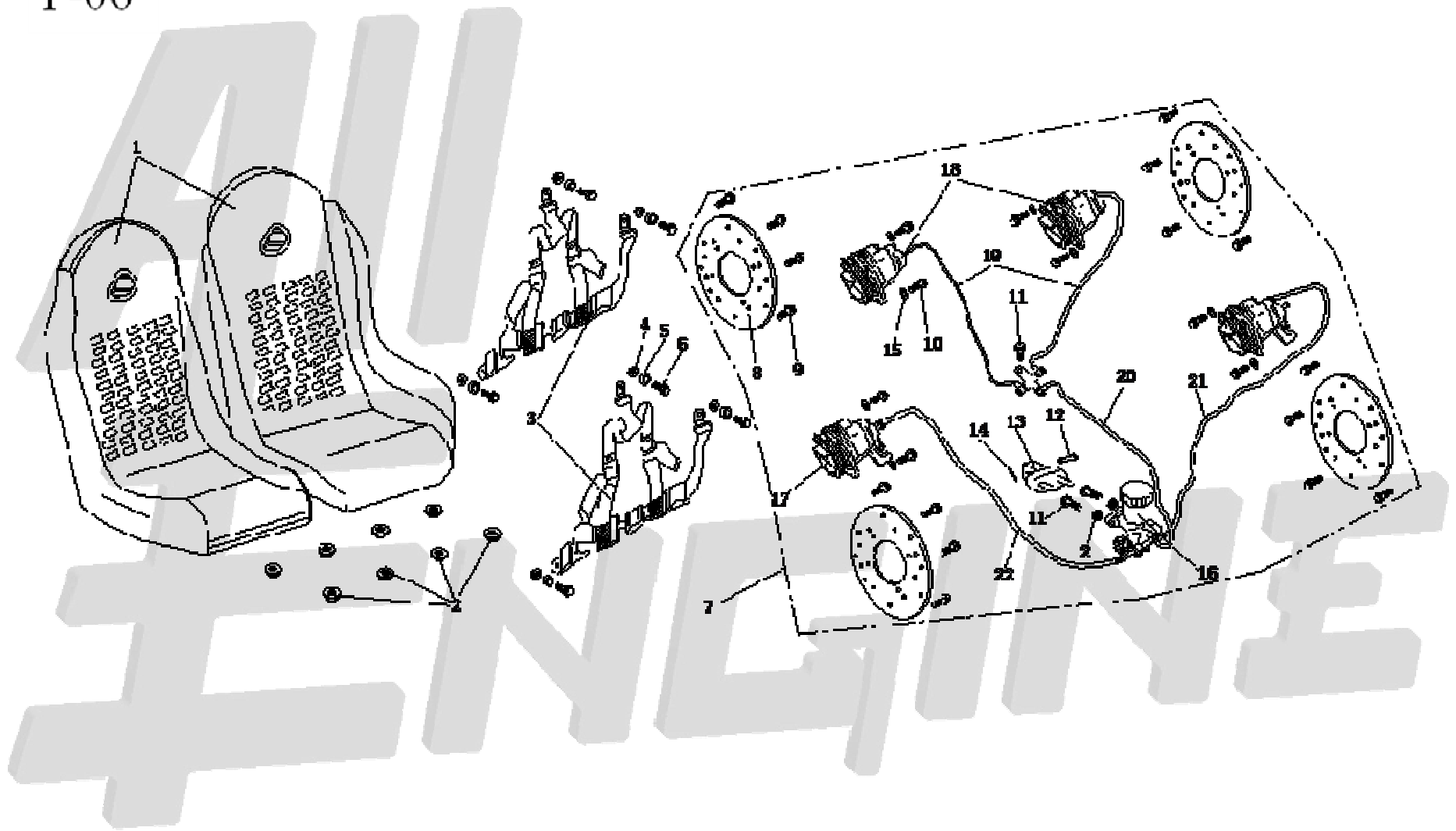
F-05



序号	功能码	中文名称	英文名称	数量
Ref. No	Function Code	Chinese Description	Part Name	Reqd. No.
1	KM005040000	真空胎25×10-12	TIRE, FR 25×10-12	2
2	KM005020000	后辐板轮12×8	RIM, FR. 12×8	2
3		盖形螺母M10	WHEEL NUT M10	8
4	GB/T9457-1988	开口销3.2×40	COTTERPIIN 3.2×40	2
5	GB95-85	六角开槽螺母M24×1.5	NUT-CASTLE M24×1.5, FRONT AXLE	2
6	GB/T93-87	弹垫24	WASHER ,SPRTNG ø24	2
7	GB/T 91-2000	平垫24	FLAT WASHER ø24	2
8	KM005030200	气门嘴帽	CAP, TIRE INTAKE	2
9	KM005030100	气门嘴	INTAKE, TIRE	2
10	GB/T93-87	弹垫10	WASHER ,SPRTNG ø10	8

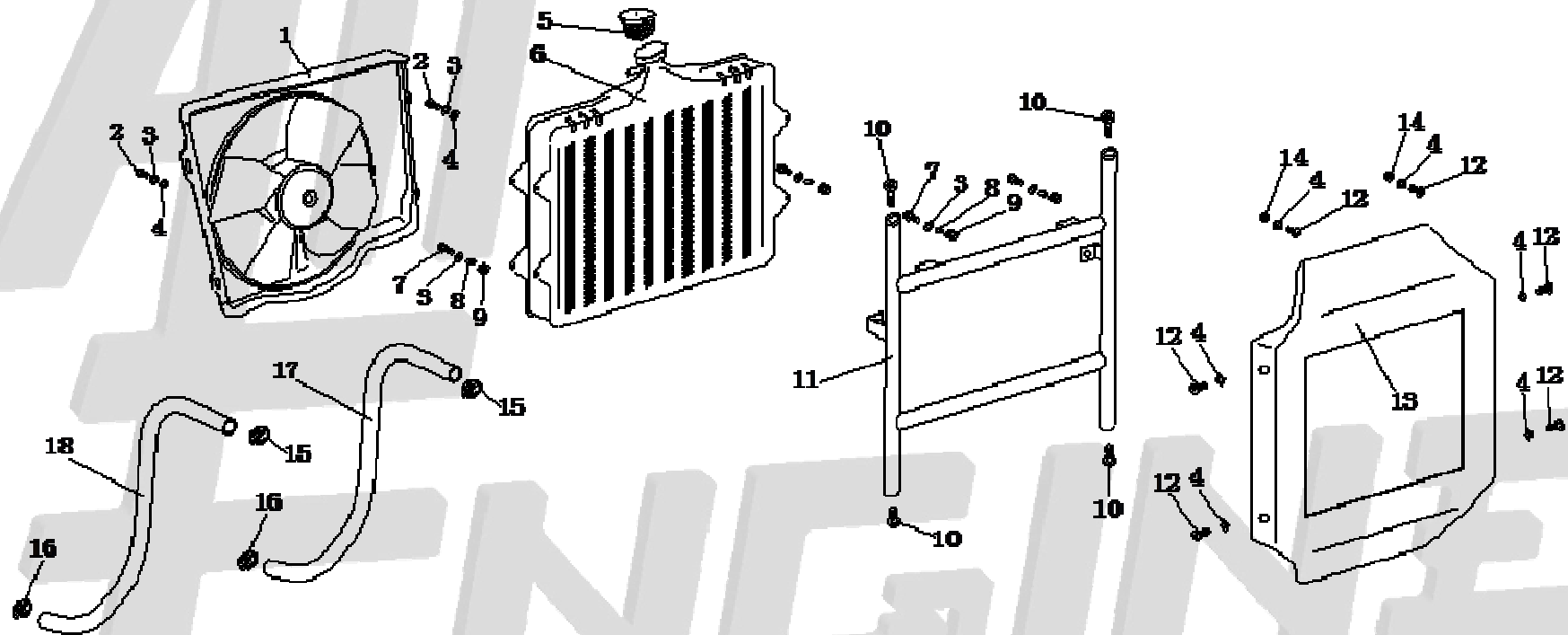
11	GB5787-86	六角法兰螺栓M10×40	BOLT FLANGE	8
12	KM005090040	后碟刹盘座	REAR HUB	2
13	GB5787-86	六角法兰螺栓M10×85	BOLT FLANGE M10×85	4
14	KA001022000	后轮毂尼龙衬套	BUSH, SHAFT CARRIER	8
15	KM001008000	后摆臂套筒内心管	SPACER, SHAFT CARRIER	4
16	GB6187-86	六角法兰自锁螺母M10	NUT FLANGE M10	4
17	KM00508001A	后轮毂	SHAFT CARRIER	2
18	KM005510000	轴承DAC3055W	BEARINGDAC3055W	2
19	GB/T 893.1-86	孔用弹性挡圈55	HOLE SPACER, ELASTIC 55	2
20	KM00120001A	后右上悬挂臂总成	UPPER SUSPENSION, RB	1
21	KM00122001A	后右下悬挂臂总成	LOWER SUSPENSION, RB	1
22	KM00512001A	右半轴	RIGHHT PROPELLER SHAFT	1
23	KM00511001A	左半轴	LEFT PROPELLER SHAFT	1
24	KM006320000	后减震器	ABSORBER ASSY. RR.	2
25	GB6187-86	六角法兰自锁螺母M12	NUT FLANGE M12	12
26	KM003390000	悬挂臂缓冲套	SHEET BUSH, SWING ARM	8
27	GB5787-86	六角法兰螺栓M12×70	BOLT FLANGE M12×70	8
28	GB5787-86	六角法兰螺栓M12×55	BOLT FLANGE M12×55	4
29	KM00119001A	后左上悬挂臂总成	UPPER SUSPENSION, LB	1
30	KM00121001A	后左下悬挂臂总成	LOWER SUSPENSION, LB	1

F-06



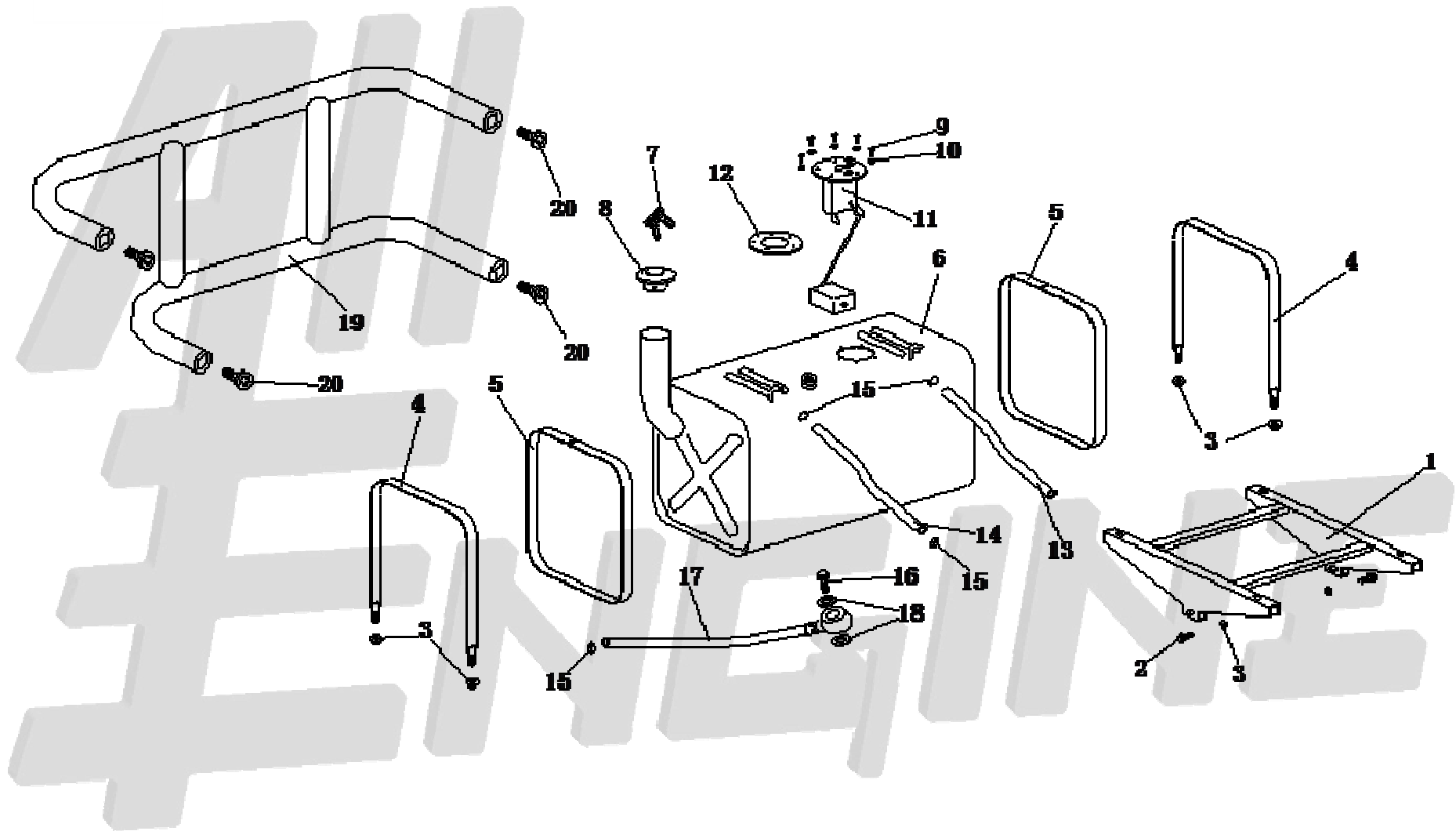
序号	功能码	中文名称	英文名称	数量
Ref. No	Function Code	Chinese Description	Part Name	Reqd. No.
1	KM007010000	座垫总成	SEAT	2
2	GB6187-86	六角法兰自锁螺母M8	NUT FLANGE M8	8
3	KA007080000	五点式保险带	BELT, SAFETY	2
4	GB6187-86	六角法兰自锁螺母M12	NUT FLANGE M12	8
5		垫片	WASHER $\phi$ 12	6
6	GB5780-86	六角螺栓M12	BOLT M12	6
7	KM005310000	制动泵总成	FOUR-CALIPER BRAKE ASSY	1
8	KM005310100	碟刹盘	DISC, BRAKE	4
9	GB5780-86	六角螺栓M8×20	BOLT M8×20	16
10	GB5787-86	六角法兰螺栓M8×25	BOLT FLANGE M8×25	8
11	GB5787-86	六角法兰螺栓M8×30	BOLT FLANGE M8×30	1
12	GB/T882-86	B型销轴（带孔 $\Phi$ 2）6×30	PIN 6×30	1
13	KM005310200	主压杆	PUSH ROD, MASTER	1
14	GB/T91-86	开口销1.6×16	PIN 1.6×16	1
15	GB95-85	平垫8	FLAT WASHER $\phi$ 8	8
16	KM005310300	主气缸组件	CYLINDER ASSY, MASTER	1
17	KM005310400	前液刹泵	FRONT BRAKE CALIPER (LH, RH)	2
18	KM005310500	后液压泵	CALIPER ASSY. RR.	2
19	KM005310600	后刹车管	HOSE ASSY. BRAKE. .RR.	2
20	KM005310700	前刹车管	HOSE ASSY. BRAKE. .FR.	1
21	KM005310800	左刹车管	HOSE ASSY. L. BRAKE.	1
22	KM005310900	右刹车管	HOSE ASSY. R. BRAKE.	1

F-07



序号	功能码	中文名称	英文名称	数量
Ref. No	Function Code	Chinese Description	Part Name	Reqd. No.
1	KM202100000	风扇	FAN	1
2	GB5787-86	六角法兰螺栓M6×16	BOLT FLANGE M6×16	2
3	GB95-85	平垫6	FLAT WASHER ø6	6
4	KM003440000	φ6橡胶垫	RUBBER WASHER ( ø6)	8
5	KM202090100	水箱盖	COVER. RADIATOR	1
6	KM202090000	水箱	RADIATOR	1
7	GB5787-86	六角法兰螺栓M6×25	BOLT FLANGE M6×25	4
8		油箱安装衬套	COLLAR, INNER	4
9	KA003370000	油箱橡胶圈	RUBBER RING	4
10	GB/T70-86	内六角螺栓M12×1.75×45	BOLT, HEX IN M12×1.75×45	4
11	KM001230000	水箱支架	BRACKEY, RADIATOR	1
12		十字大盘头螺钉M6×16	BOLT M6×16	6
13	KM003010000	散热器罩	COVER, RADIATOR	1
14	GB6187-86	六角法兰自锁螺母M6	NUT FLANGE M6	2
15	KB004340000	卡箍29	CIRCLIP 29	2
16	KM001870050	卡箍21-44	CIRCLIP 21-44	2
17	KM202070000	出水管	WATER OUTLET HOSE, ENGINE	1
18	KM202080000	回水管	WATER INLET HOSE, ENGINE	1

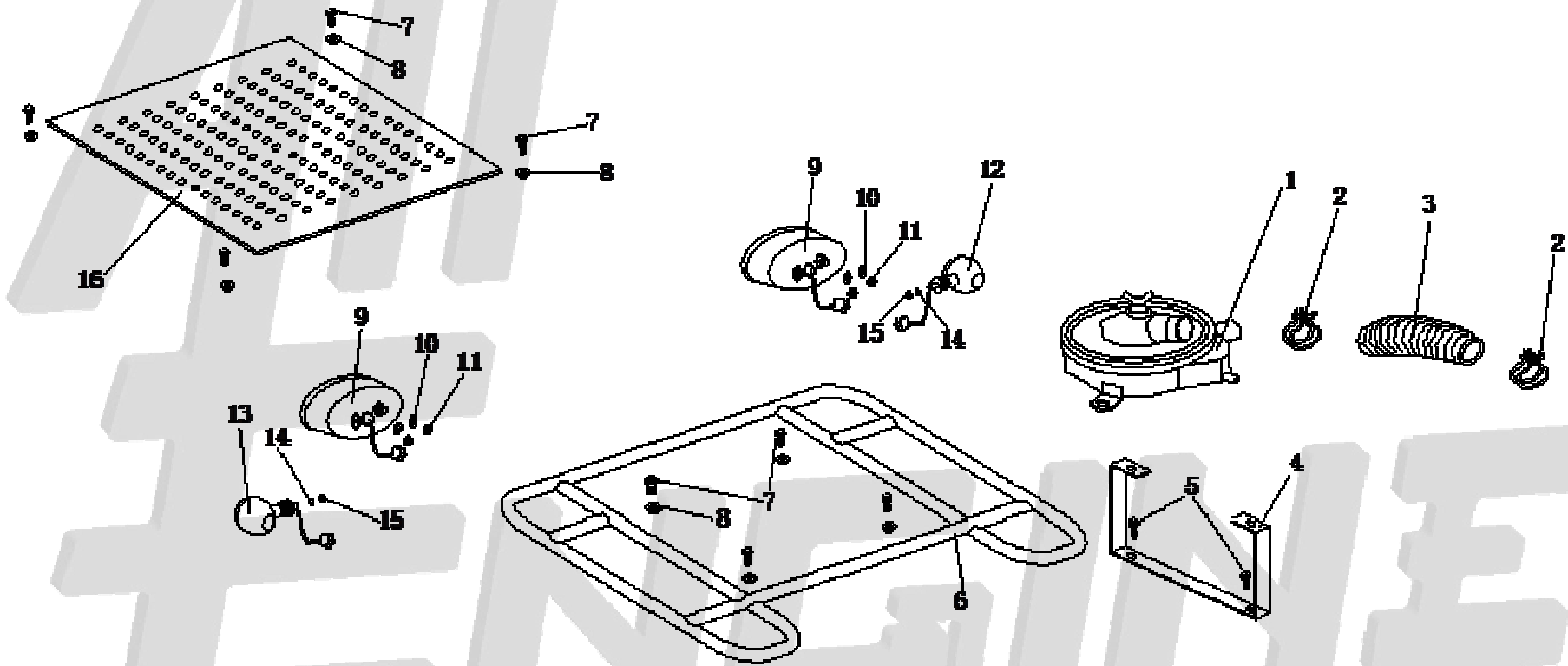
F-08





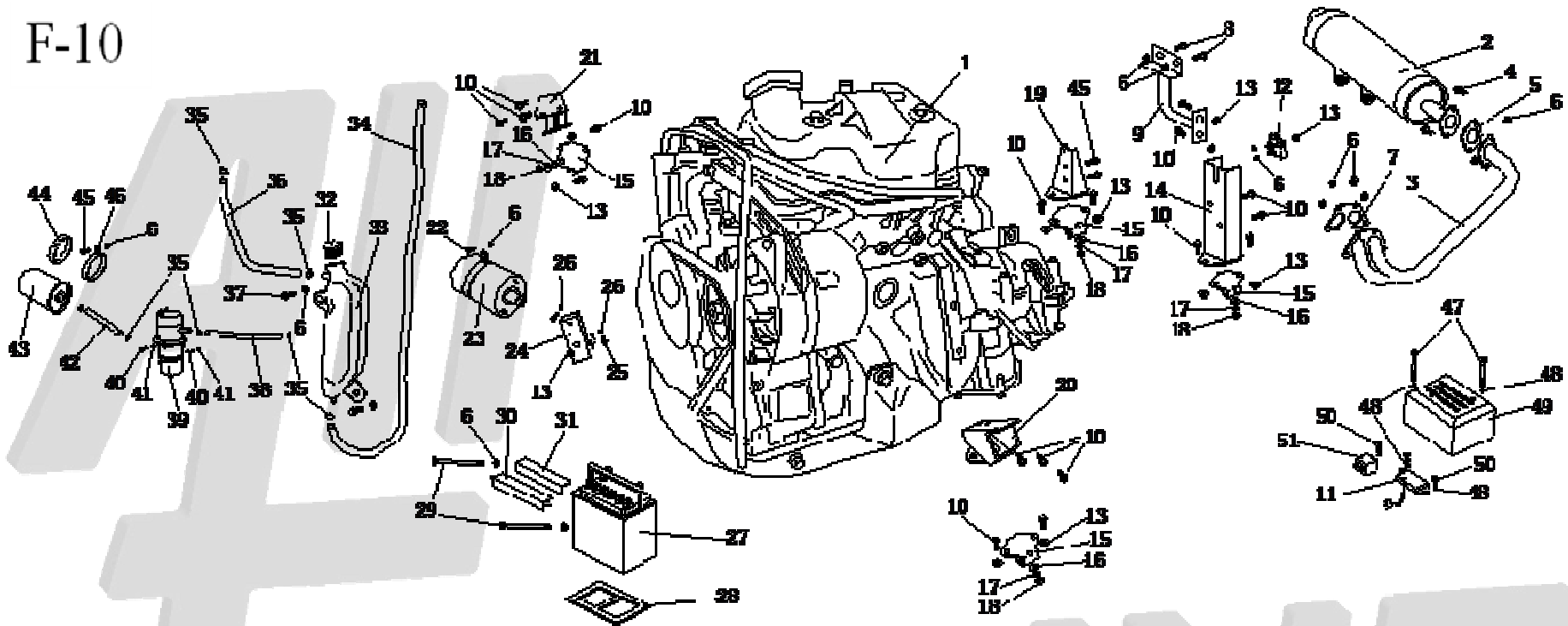
序号	功能码	中文名称	英文名称	数量
Ref. No	Function Code	Chinese Description	Part Name	Reqd. No.
1	KM001350000	油箱支架	BRACKEY, TANK	1
2	GB5787-86	六角法兰螺栓M10×45	BOLT FLANGE M10×45	2
3	GB6187-86	六角法兰自锁螺母M10	NUT FLANGE M10	6
4	KM00143001A	油箱压板	FUEL TANK STRAP	2
5	KM003420000	油箱橡胶条	FUEL TANK RUBBER STRAP	2
6	KM002060000	油箱	TANK, COMP. FUEL	1
7	KM002060100	油箱盖钥匙	KEY, FUEL TANK	1
8	KM002060200	油箱盖	COVER, FUEL TANK	1
9	GB5787-86	六角法兰螺栓M5×16	BOLT FLANGE M5×16	5
10	KM003440000	φ6橡胶垫	RUBBER WASHER ( ø6)	5
11	KM204270000	油位传感器	FUEL SENSOR	1
12	KM204270100	油位传感器橡胶圈	RUBBER, FUEL SENSOR	1
13	KM003210200	油管 φ6×φ13, 长450	FUEL TUBE, 450	1
14	KM003210300	油管 φ6×φ13, 长300	FUEL TUBE, 300	1
15	KM001860050	油管卡簧 φ12.5	CIRCLIP, FUEL TUBE φ12.5	4
16	KM003210600	螺栓M12×35	BOLT M12×35	1
17	KM003210500	油管 φ6×φ13, 长550	FUEL TUBE, 550	1
18	KM003210700	垫片	WASHER ø12	2
19	KM001050000	油箱保护杠	REAR BUMPER BAR	1
20	GB/T70-86	内六角螺栓M12×1.75×45	BOLT, HEX IN M12×1.75×45	4

F-09



序号	功能码	中文名称	英文名称	数量
Ref. No	Function Code	Chinese Description	Part Name	Reqd. No.
1	KM202030000	空滤器	AIR CLEANR ASSY.	1
2	KM202030100	空滤器卡箍	FLEXIBLE HOSE CLAMP	2
3	KM202030200	空滤器连接管	FLEXIBLE HOSE	1
4	KM00144001A	空滤器支架	AIR CLEANR BRACKET	2
5	GB5787-86	六角法兰螺栓M8×16	BOLT FLANGE M8×16	2
6	KA001130000	后储物架组件	CARRIER COMP. , REAR	1
7	GB5787-86	六角法兰螺栓M8×45	BOLT FLANGE M8×45	8
8	GB6187-86	六角法兰自锁螺母M8	NUT FLANGE M8	8
9	KM204110000-1	后尾灯	TAIL LAMP ASSY.	2
10	KM003440000	φ6橡胶垫	RUBBER WASHER ( ø6)	4
11	GB6187-86	六角法兰自锁螺母M6	NUT FLANGE M6	4
12	KA204160200-1	后左转向灯	BEHIND LEFT TURNING LIGHT	1
13	KA204170200-1	后右转向灯	BEHIND RIGHT TURNING LIGHT	1
14	GB/T93-87	弹垫10	WASHER , SPRNG ø10	2
15	GB6170-86	六角螺母M10	NUTM10	2
16	KM001510000	后货架板	COVER, CARRIER COMP. , REAR	1

# F-10

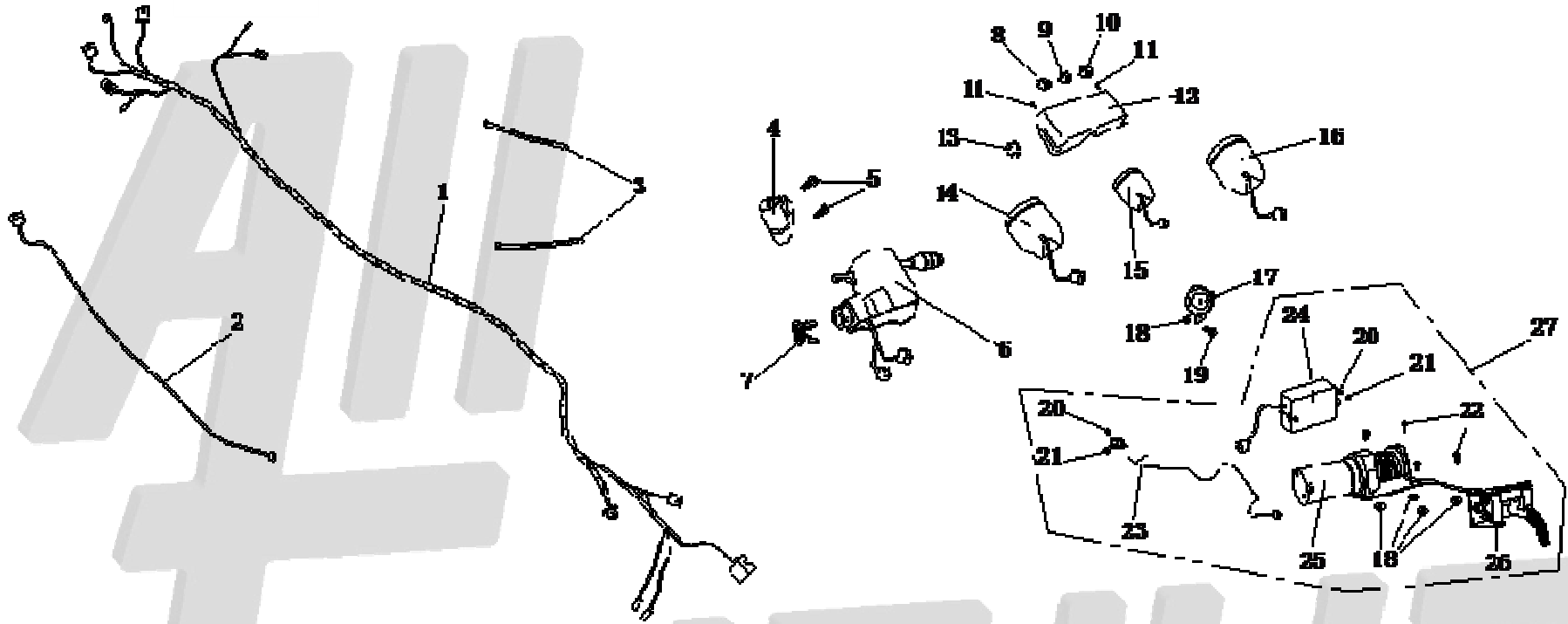


序号	功能码	中文名称	英文名称	数量
Ref. No	Function Code	Chinese Description	Part Name	Reqd. No.
1	KM002010000	发动机	ENGINE ASSY	1
2	KM202040000	排气消声器总成	MUFFLER COMP., EX	1
3	KM202040100-1	消声器弯管	FRONT EXHAUST PIPE	1
4	GB5787-86	六角法兰螺栓M8×30	BOLT FLANGE M8×30	2
5	KM202040200	消声器接头密封垫	CARBON BUSH	3
6	GB6187-86	六角法兰自锁螺母M8	NUT FLANGE M8	18

7	KM002040100	排气消声器密封垫	EXHAUST GASKET TO HEAD	1
8	GB5787-86	六角法兰螺栓M8×35	BOLT FLANGE M8×35	2
9	KM00141001A	排气管安装支架	MUFFER BRACKET	1
10	GB5787-86	六角法兰螺栓M10×25	BOLT FLANGE M10×25	18
11	KM004040000	调压整流器	RECTIFIER COMP, REGULATE	1
12	KM003450000	发动机缓冲垫1（小）	ENGINE RUBBERBUMPER1	1
13	GB6187-86	六角法兰自锁螺母M10	NUT FLANGE M10	12
14	KM00138001A	发动机侧安装支架座1	ENGINE MOUNT, LEFT1	1
15	KM003460000	发动机缓冲垫2（大）	ENGINE RUBBERBUMPER2	4
16	GB/T96-85	平垫12	FLAT WASHER ø12	4
17	GB/T93-87	弹垫12	WASHER , SPRNG ø12	4
18	GB6170-86	六角螺母M12×1.75	NUT M12×1.75	4
19	KM00139001A	发动机侧安装支架座2	ENGINE MOUNT, LEFT2	1
20	KM00136001A	发动机前安装支架座	ENGINE MOUNT, FRONT	1
21	KM00137001A	发动机后安装支架座	ENGINE MOUNT, REAR	1
22	GB5787-86	六角法兰螺栓M8×20	BOLT FLANGE M8×20	1
23	KM202050000	高压包	COIL COMP. IGNITION	1
24	KM00145001A	换档支架	REVERSE, BRACKET	1
25	GB5787-86	六角法兰自锁螺母8×40	BOLT FLANGE M8×40	2
26	GB6170-86	六角螺母M8	NUTM 8	2
27	KM004070000	蓄电池	BATTERY	1
28	KM003360000	蓄电池垫	CUSHION, BATTERY	1
29	GB6187-86	六角法兰自锁螺母 M8×98	BOLT FLANGE M8×98	2
30	KM00140001A	电瓶压板	PRESSURE PLATE, BATTERY	1
31	KM003380000	蓄电池盖垫	RUBBER BATTERY	1
32	KB004210100	副水箱盖	COVER, WATER TANK, SUBSIDIARY	1

33	KB004210000	副水箱	WATER TANK, SUBSIDIARY	1
34	KM003210600	副水箱通水管 I	OVERFLOW BOTTLE HOSE I	1
35	KM001860050	油管卡簧 $\phi$ 12.5	CIRCLIP, FUEL TUBE $\phi$ 12.5	7
36	KM003210700	副水箱通水管II	OVERFLOW BOTTLE HOSEII	1
37	GB5787-86	六角法兰螺栓M8×20	BOLT FLANGE M8×20	2
38	KM003210400	油管 $\phi$ 6× $\phi$ 13, 长1200	FUEL TUBE, 1200	2
39	KM202060000	汽油泵	GASLINE PUMP	1
40	GB5787-86	六角法兰螺栓M6×16	BOLT FLANGE M6×16	2
41	GB6170-86	六角螺母M6	NUTM 6	2
42	KM003210400	油管 $\phi$ 6× $\phi$ 13, 长120	FUEL TUBE, 120	1
43	KMM002090000	过滤器	FILTER	1
44	KM003430000	过滤器胶条, 长220	RUBBER , FILTER BRACKET	1
45	GB5787-86	六角法兰自锁螺母8×25	BOLT FLANGE M8×25	3
46	KM00154001A	油滤器支架	FILTER BRACKET	1
47	GB/T818-85	十字盘头螺钉M6×75	BOLT M6×75	2
48	GB/T93-87	弹垫6	WASHER , SPRING $\phi$ 6	4
49	KB003010000	电器盒	WIRING BOX	1
50	GB/T818-85	十字盘头螺钉M6×16	BOLT M6×16	2
51	KM204280000	闪光灯	FLASH INSTRUMENT	1

F-11

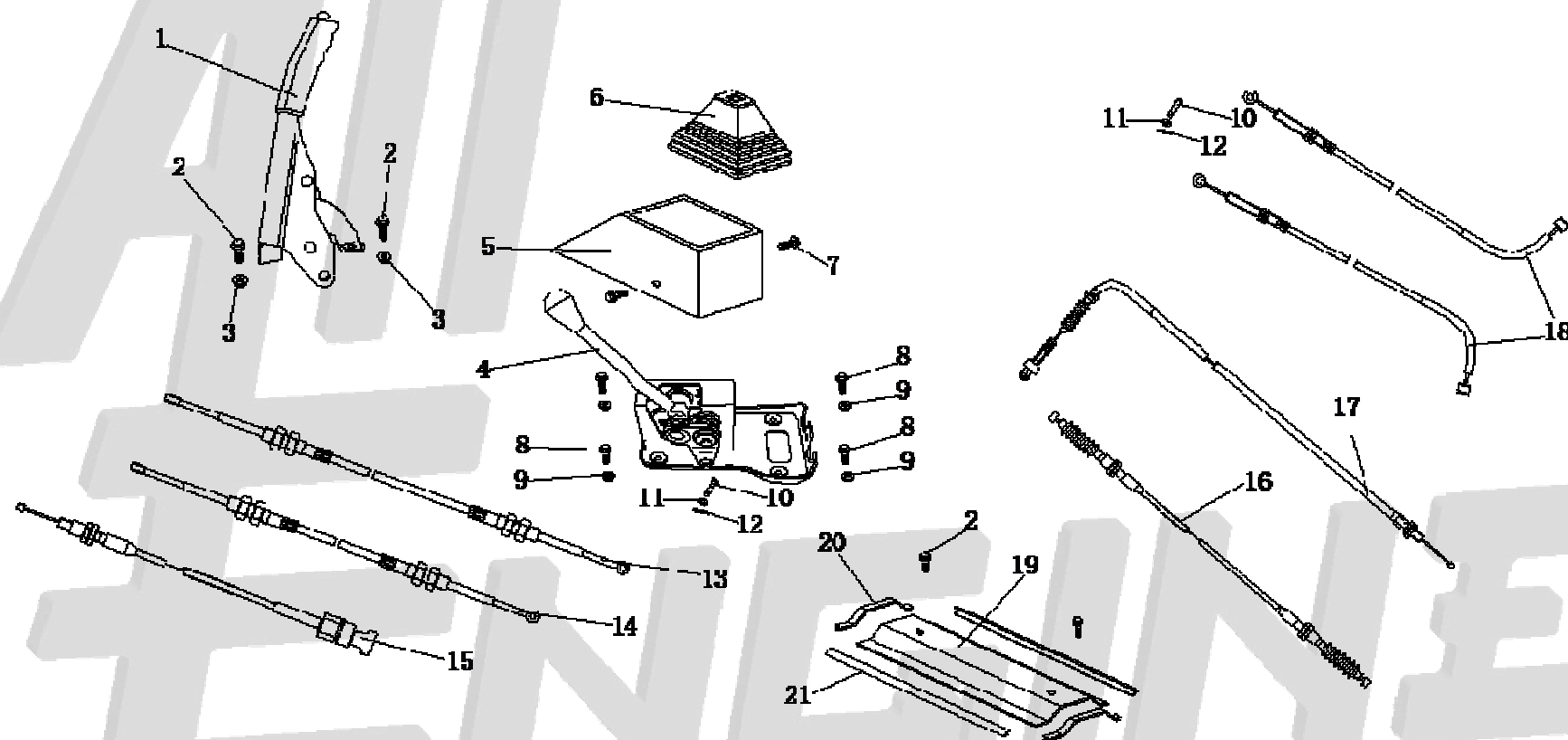


序号	功能码	中文名称	英文名称	数量
Ref. No	Function Code	Chinese Description	Part Name	Reqd. No.
1	KM004070000	主电缆	MAIN WIRE HARNESS	1
2	KM004150200	屏蔽线	SPEED SENSOR CABLE	1
3	KA003120000	扎带250*5	CABLE TIE	55
4	KM204310000	防盗锁	GUARD AGAINST THEFT LOCK	1
5		内五角螺栓M5×16	BOLT, HEX IN M5×16	2

6	KM004010000	组合开关	INTERGRATED SWITCH ASSY.	1
7	KM004010100	钥匙	KEY	1
8	KC004010000	喇叭开关	HORN BUTTON	1
9	KA004020000	熄火开关	ENGINE STOP BUTTON	1
10	KA004030000	照明开关	TOPLIGHT SWITCH	1
11	GB845-85	自攻螺钉ST4. 2×12	BOLT ST4. 2×12	2
12	KA003080000	开关下盖	COVER SWITCH	1
13	KA204290000	二极管	DIODE	1
14	KM004150100	速度表	SPEEDOMETER	1
15	KM204260000	油位表	FUEL METER	1
16	KM204210000	灯光指示表	SIGNAL INDICATOR	1
17	KC204180000-1	喇叭	HORN	1
18	GB6187-86	六角法兰自锁螺母M8	NUT FLANGE M8	5
19	GB5787-86	六角法兰螺栓M8×16	BOLT FLANGE M8×16	1
20	GB818-85	十字盘头螺钉M5×16	BOLT M5×16	3
21	GB6187-86	六角法兰自锁螺母M5	NUT FLANGE M5	3
22	GB5787-86	六角法兰螺栓M8×25	BOLT FLANGE M8×25	4
23	KM204300100	牵引机控制开关	SWITCH ASSY, ELECTRICAL WINCH	1
24	KM204300200	牵引机控制盒	SWITCH, WINCH BOX	1
25	KM204300300	牵引机绞盘	ELECTRICAL WINCH	1
26	KM204300400	牵引机牵引架	WIRE CABLE GUIDE	1
27	KM204300000	牵引机	WINCH	1

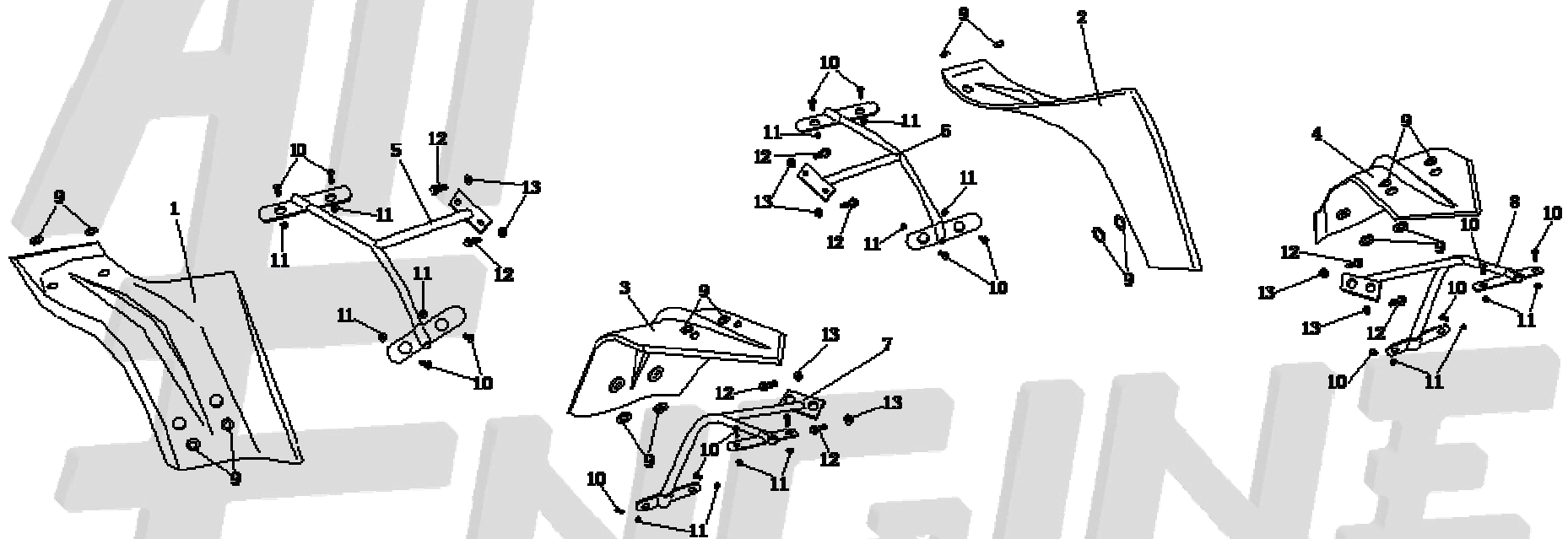


F-12



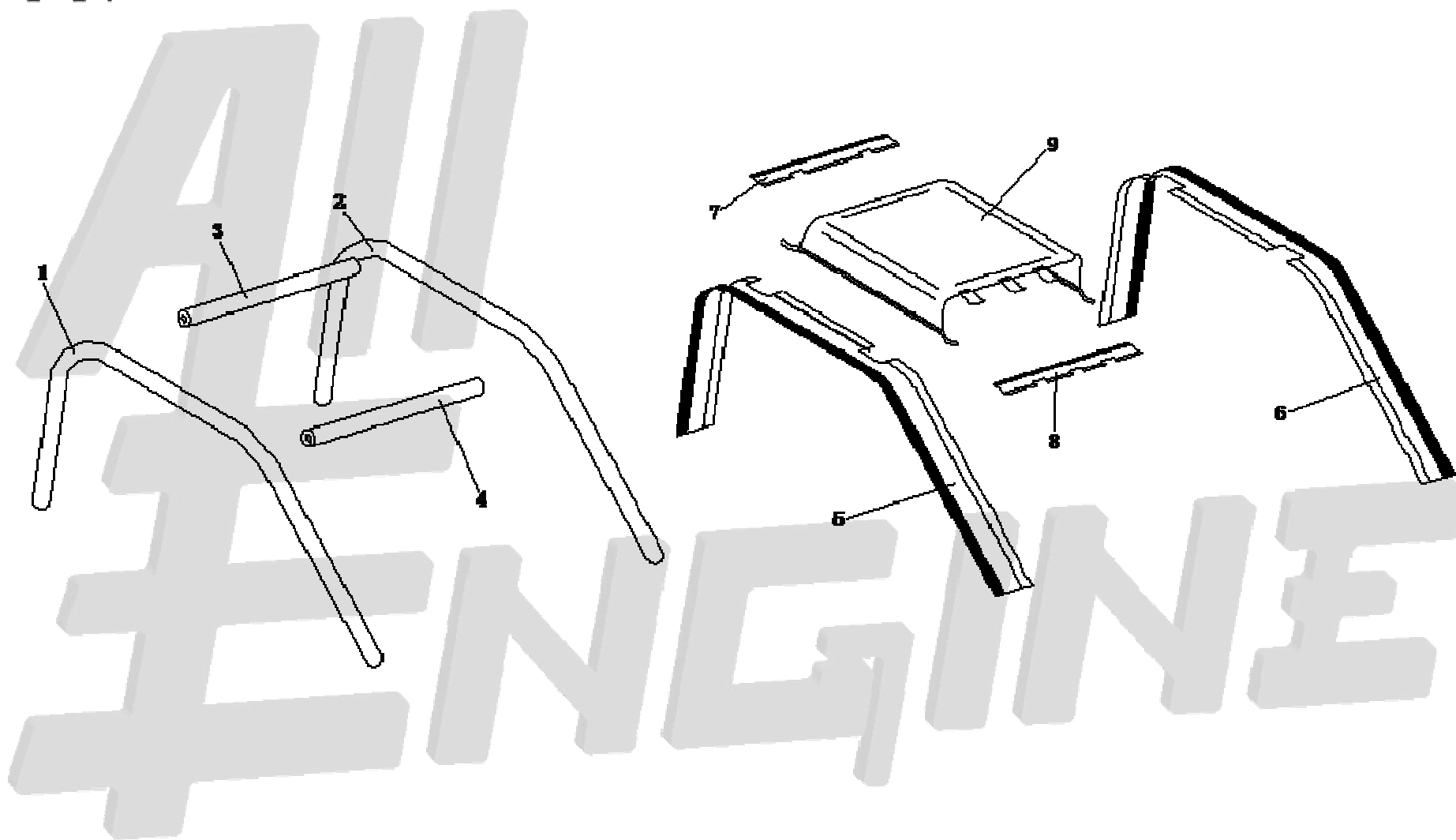
序号	功能码	中文名称	英文名称	数量
Ref. No	Function Code	Chinese Description	Part Name	Reqd. No.
1	KM00147001A	手刹手柄	HANDLE BAR, BRAKE	1
2	GB5787-86	六角法兰螺栓M8×16	BOLT FLANGE M8×16	4
3	GB6187-86	六角法兰自锁螺母M8	NUT FLANGE M8	2
4	KM00146001A	换档手柄	HANDLE BAR, REVERSE	1
5	KM00142001A	倒档器安装支架	HANDLE BAR, REVERSE, BRACKET	1
6	KM00146011A	换档手柄套	REVERSE KE PROTECT COVER	1
7	GB5787-86	六角法兰螺栓M6×16	BOLT FLANGE M6×16	2
8	GB5787-86	六角法兰螺栓M6×25	BOLT FLANGE M6×25	4
9	GB6187-86	六角法兰自锁螺母M6	NUT FLANGE M6	4
10	GB/T882-86	B型销轴（带孔Φ2）8×22、军绿	PIN 8×22	2
11	GB/T96-87	平垫8	FLAT WASHER ø8	2
12	GB/T91-86	开口销1.6×16	PIN 1.6×16	2
13	KM006230000	换挡线1	CABLE COMP. REVERSE 1	1
14	KM006240000	换挡线2	CABLE COMP. REVERSE 2	1
15	KM006250000	风门线	CHOKE CABLE	1
16	KM006220000	油门线	CABLE , THROTTLE	1
17	KM006260000	离合线	CABLE, CLUTCH	1
18	KM006210000	手刹线	PARK BRAKE CABLE	2
19	KM00155001A	挡线板	COVER,WIRE	1
20	KM003470000	挡线板胶条1	RUBBER COVER,WIRE 1	2
21	KM003480000	挡线板胶条2	RUBBER COVER,WIRE 2	2

F-13



序号	功能码	中文名称	英文名称	数量
Ref. No	Function Code	Chinese Description	Part Name	Reqd. No.
1	KM003180000-2	右后挡泥板	REAR FENDER, R	1
2	KM003180000-1	左后挡泥板	REAR FENDER, L	1
3	KM003170000-2	前右挡泥板	FRONT FENDER, R	1
4	KM003170000-1	前左挡泥板	FRONT FENDER, L	1
5	KM00111001A	右后挡泥板支架	BRACKEY, REAR FENDER, R	1
6	KM00112001A	左后挡泥板支架	BRACKEY, REAR FENDER, L	1
7	KM00109001A	前右挡泥板支架	BRACKEY, FRONT FENDER, R	1
8	KM00110001A	前左挡泥板支架	BRACKEY, FRONT FENDER, L	1
9	KM003440000	φ6橡胶垫	RUBBER WASHER ( ø6)	16
10		十字大盘头螺钉M6×16	BOLT M10×25	16
11	GB6187-86	六角法兰自锁螺母M6	NUT FLANGE M6	16
12	GB5787-86	六角法兰螺栓M10×25	BOLT FLANGE M10×25	8
13	GB6187-86	六角法兰自锁螺母M10	NUT FLANGE M10	8

F-14



序号	功能码	中文名称	英文名称	数量
Ref. No	Function Code	Chinese Description	Part Name	Reqd. No.
1	KM008050100	右泡沫保护管	RIGHT FOAM COVER	1
2	KM008050200	左泡沫保护管	LEFT FOAM COVER	1
3	KM008050300	后泡沫保护管	FOAM COVER. RR.	1
4	KM008050400	前泡沫保护管	FOAM COVER. FR.	1
5	KM008060100	右保险杠架棚布	FABRIC, RIGHT GUARD BAR ,MAIN	1
6	KM008060100	左保险杠架棚布	FABRIC, LEFT GUARD BAR ,MAIN	1
7	KM008060100	后保险杠横杆棚布	FABRIC, REAR GUARD BAR ,CENTER	1
8	KM008060100	前保险杠横杆棚布	FABRIC, FRONT GUARD BAR ,CENTER	1
9	KM008060100	顶棚布	TOP FABRIC	1

